

## K 3235 3D

for PVCu entrance doors with robust  
barbs for fixing



### Product features

- for overlap thicknesses 21-25 mm
- door part with robust barbs for fixing
- 3D adjustment (side +/- 5,0 mm, height + 5,0/- 1,0 mm, compression +/- 2,0 mm)
- with integral security pin
- maintenance-free slide bearings

### Technical data

Property	Value
Load capacity	120,0 kg
Knuckle length	105,0 mm
Knuckle Diameter	24,0 mm
Pin diameter	10,0 mm

### Notes

The load capacity mentioned above refers to the use of 2 hinges per door leaf (1 x 2 m), for detailed information please look at the chapter [technical information](#).

### Quality marks



CE certification

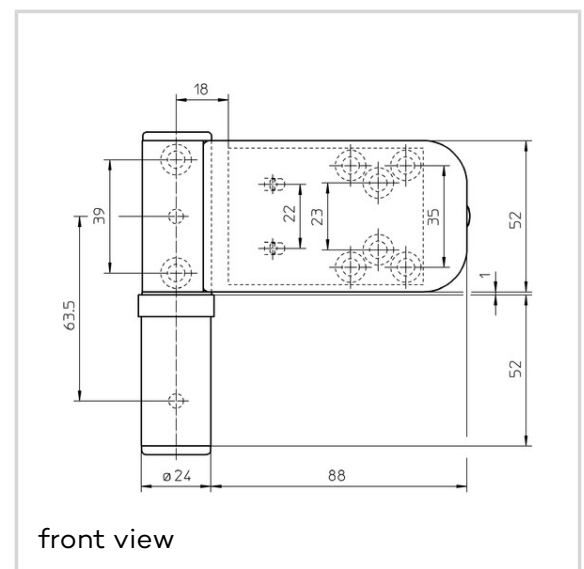


IFT certification

### Classification code

4 7 6 0 1 -<sup>1</sup> 1 13

<sup>1</sup> depending on the finish



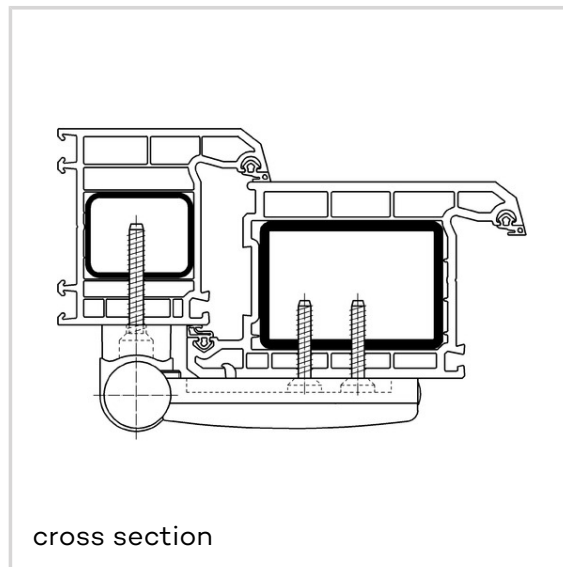
**SIKU - K 3235 3D****Installation tools**

Telescope jig SIKU Series  
K3/K6 Type 2

Drilling jig SIKU Series  
K3/K6 simultaneous fixing  
Type 2

**Combinations**

Spacer SIKU K 3030 3D / K 3035 3D

**Function range**

burglar  
resistance

**Item versions**

Finish	RAL 9016 Traffic White (SW 070)
VPE	pack of 3
DIN	DIN right and left hand
Article number	5 190760 0 07003
EAN	4015471085759
Finish	RAL 9016 Traffic White (SW 070)
VPE	pack of 12
DIN	DIN right and left hand
Article number	5 190760 0 07023
EAN	4015471085766
Finish	H9 Brown (SW 071)
VPE	pack of 12
DIN	DIN right and left hand
Article number	5 190760 0 07123
EAN	4015471085773

## SIKU - K 3235 3D

Finish	RAL 8003 Clay Brown (SW 084)
VPE	pack of 12
DIN	DIN right and left hand
Article number	5 190760 0 08423
EAN	4015471089849
Finish	RAL 9005 Matte Black (SW 107)
VPE	pack of 3
DIN	DIN right and left hand
Article number	5 190760 0 10703
EAN	4015471146450
Finish	RAL 1036 Pearl Gold (SW 198)
VPE	pack of 3
DIN	DIN right and left hand
Article number	5 190760 0 19803
EAN	4015471119546
Finish	RAL 9006 White Alu, clear lc (SW 204)
VPE	pack of 12
DIN	DIN right and left hand
Article number	5 190760 0 20423
EAN	4015471135768