

SIKU - K 4040 3D

K 4040 3D

for lightweight PVCu entrance doors and side entrance doors with angular fixing cams

**Product features**

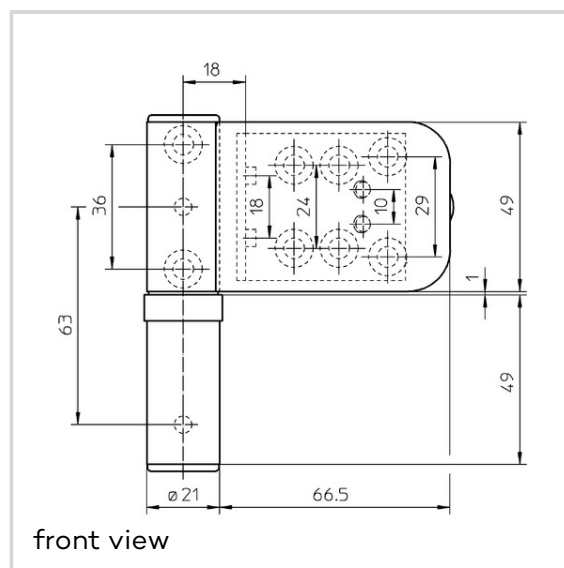
- for overlap thicknesses 15-19 mm
- door part with angular fixing cams for extremely high pull-out strength
- 3D adjustment (side +/- 5,0 mm, height + 5,0/- 1,0 mm, compression +/- 2,0 mm)
- with integral security pin
- maintenance-free slide bearings

Technical data

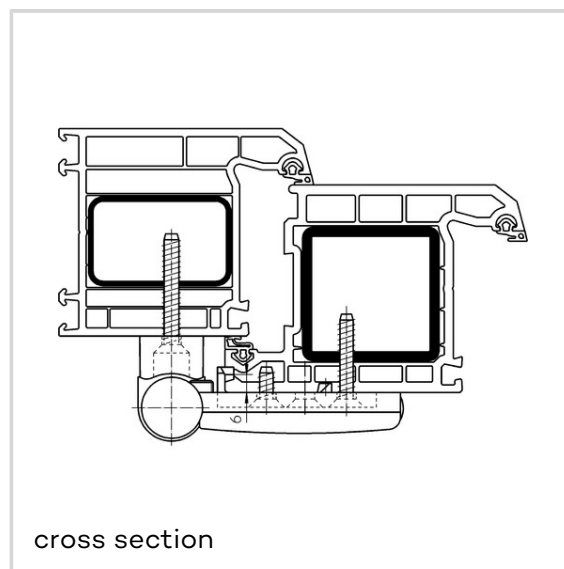
Property	Value
Load capacity	80,0 kg
Knuckle length	100,0 mm
Knuckle Diameter	21,0 mm
Pin diameter	8,0 mm

Notes

The load capacity mentioned above refers to the use of 2 hinges per door leaf (1 x 2 m), for detailed information please look at the chapter [technical information](#).



front view



cross section

SIKU - K 4040 3D

Installation tools

Telescope jig SIKU Series
K4 Type 3

Drilling jig SIKU Series K4
simultaneous fixing Type 3

Item versions

Finish	RAL 9016 Traffic White (SW 070)
VPE	pack of 3
DIN	DIN right and left hand
Article number	5 190810 0 07003
EAN	4015471086763
Finish	RAL 9016 Traffic White (SW 070)
VPE	pack of 12
DIN	DIN right and left hand
Article number	5 190810 0 07023
EAN	4015471086756
Finish	H9 Brown (SW 071)
VPE	pack of 3
DIN	DIN right and left hand
Article number	5 190810 0 07103
EAN	4015471090265
Finish	H9 Brown (SW 071)
VPE	pack of 12
DIN	DIN right and left hand
Article number	5 190810 0 07123
EAN	4015471086770
Finish	RAL 8003 Clay Brown (SW 084)
VPE	pack of 12
DIN	DIN right and left hand
Article number	5 190810 0 08423
EAN	4015471091767

SIKU - K 4040 3D

Finish	RAL 9005 Matte Black (SW 107)
VPE	pack of 3
DIN	DIN right and left hand
Article number	5 190810 0 10703
EAN	4015471144104
Finish	Satin Chrome Look (F1) (SW 124)
VPE	pack of 3
DIN	DIN right and left hand
Article number	5 190810 0 12403
EAN	4015471142735
Finish	RAL 9006 White Alu, clear lc (SW 204)
VPE	pack of 12
DIN	DIN right and left hand
Article number	5 190810 0 20423
EAN	4015471135799