

K 3130 3D

for PVCu entrance doors with angular fixing cams



Product features

- for overlap thicknesses 18-22 mm
- door part with angular fixing cams for extremely high pull-out strength
- 3D adjustment (side +/- 5,0 mm, height + 5,0/- 1,0 mm, compression +/- 2,0 mm)
- with integral security pin
- maintenance-free slide bearings

Technical data

Property	Value
Load capacity	120,0 kg
Knuckle length	105,0 mm
Knuckle Diameter	24,0 mm
Pin diameter	10,0 mm

Notes

The load capacity mentioned above refers to the use of 2 hinges per door leaf (1 x 2 m), for detailed information please look at the chapter [technical information](#).

Quality marks



CE certification

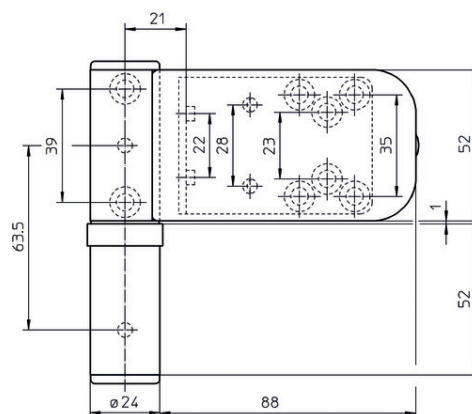


IFT certification

Classification code

4 7 6 0 1 -¹ 1 13

¹ depending on the finish



front view

SIKU - K 3130 3D**Installation tools**

Telescope jig SIKU Series
K3/K6 Type 1

Drilling jig SIKU Series
K3/K6 simultaneous fixing
Type 1

Combinations

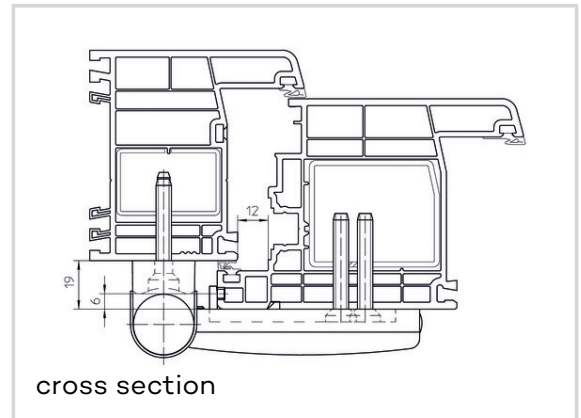
Spacer SIKU K 3030 3D / K 3035 3D

Function range

burglar
resistance

Item versions

Finish	RAL 9016 Traffic White (SW 070)
VPE	pack of 3
DIN	DIN right and left hand
Article number	5 190730 0 07003
EAN	4015471085599
Finish	RAL 9016 Traffic White (SW 070)
VPE	pack of 12
DIN	DIN right and left hand
Article number	5 190730 0 07023
EAN	4015471085605
Finish	H9 Brown (SW 071)
VPE	pack of 3
DIN	DIN right and left hand
Article number	5 190730 0 07103
EAN	4015471085612



SIKU - K 3130 3D

Finish	H9 Brown (SW 071)
VPE	pack of 12
DIN	DIN right and left hand
Article number	5 190730 0 07123
EAN	4015471089894
Finish	RAL 9005 Matte Black (SW 107)
VPE	pack of 3
DIN	DIN right and left hand
Article number	5 190730 0 10703
EAN	4015471091699
Finish	RAL 9005 Matte Black (SW 107)
VPE	pack of 12
DIN	DIN right and left hand
Article number	5 190730 0 10723
EAN	4015471144739
Finish	RAL 9006 White Alu, clear lc (SW 204)
VPE	pack of 3
DIN	DIN right and left hand
Article number	5 190730 0 20403
EAN	4015471135713
Finish	RAL 9006 White Alu, clear lc (SW 204)
VPE	pack of 12
DIN	DIN right and left hand
Article number	5 190730 0 20423
EAN	4015471135720