

K 3035 3D

for PVCu entrance doors with robust
barbs for fixing



Product features

- for overlap thicknesses 15-19 mm
- door part with robust barbs for fixing
- 3D adjustment (side +/- 5,0 mm, height + 5,0/- 1,0 mm, compression +/- 2,0 mm)
- with integral security pin
- maintenance-free slide bearings

Technical data

| Property | Value |
|------------------|----------|
| Load capacity | 120,0 kg |
| Knuckle length | 105,0 mm |
| Knuckle Diameter | 24,0 mm |
| Pin diameter | 10,0 mm |

Notes

The load capacity mentioned above refers to the use of 2 hinges per door leaf (1 x 2 m), for detailed information please look at the chapter [technical information](#).

Quality marks



CE certification

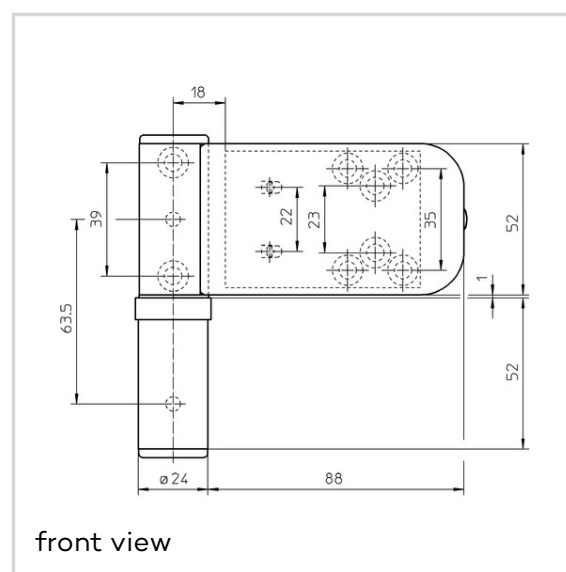


IFT certification

Classification code

4 7 6 0 1 -¹ 1 13

¹ depending on the finish



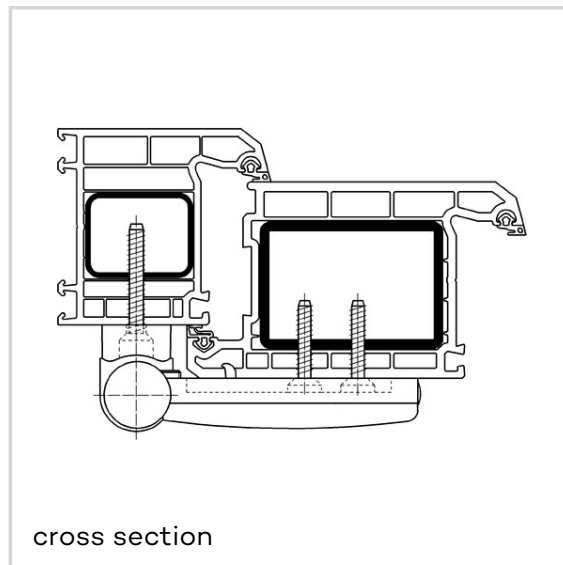
SIKU - K 3035 3D**Installation tools**

Telescope jig SIKU Series
K3/K6 Type 2

Drilling jig SIKU Series
K3/K6 simultaneous fixing
Type 2

Combinations

Spacer SIKU K 3030 3D / K 3035 3D

**Function range**

burglar
resistance

Item versions

| | |
|----------------|---------------------------------|
| Finish | RAL 9016 Traffic White (SW 070) |
| VPE | pack of 3 |
| DIN | DIN right and left hand |
| Article number | 5 190720 0 07003 |
| EAN | 4015471085544 |
| Finish | RAL 9016 Traffic White (SW 070) |
| VPE | pack of 12 |
| DIN | DIN right and left hand |
| Article number | 5 190720 0 07023 |
| EAN | 4015471085551 |
| Finish | H9 Brown (SW 071) |
| VPE | pack of 3 |
| DIN | DIN right and left hand |
| Article number | 5 190720 0 07103 |
| EAN | 4015471085568 |

SIKU - K 3035 3D

| | |
|----------------|---------------------------------------|
| Finish | RAL 8003 Clay Brown (SW 084) |
| VPE | pack of 3 |
| DIN | DIN right and left hand |
| Article number | 5 190720 0 08403 |
| EAN | 4015471091255 |
| Finish | RAL 9005 Matte Black (SW 107) |
| VPE | pack of 3 |
| DIN | DIN right and left hand |
| Article number | 5 190720 0 10703 |
| EAN | 4015471136840 |
| Finish | Satin Chrome Look (F1) (SW 124) |
| VPE | pack of 3 |
| DIN | DIN right and left hand |
| Article number | 5 190720 0 12403 |
| EAN | 4015471117856 |
| Finish | RAL 1036 Pearl Gold (SW 198) |
| VPE | pack of 3 |
| DIN | DIN right and left hand |
| Article number | 5 190720 0 19803 |
| EAN | 4015471115593 |
| Finish | RAL 9006 White Alu, clear lc (SW 204) |
| VPE | pack of 3 |
| DIN | DIN right and left hand |
| Article number | 5 190720 0 20403 |
| EAN | 4015471135683 |
| Finish | RAL 9006 White Alu, clear lc (SW 204) |
| VPE | pack of 12 |
| DIN | DIN right and left hand |
| Article number | 5 190720 0 20423 |
| EAN | 4015471135690 |