

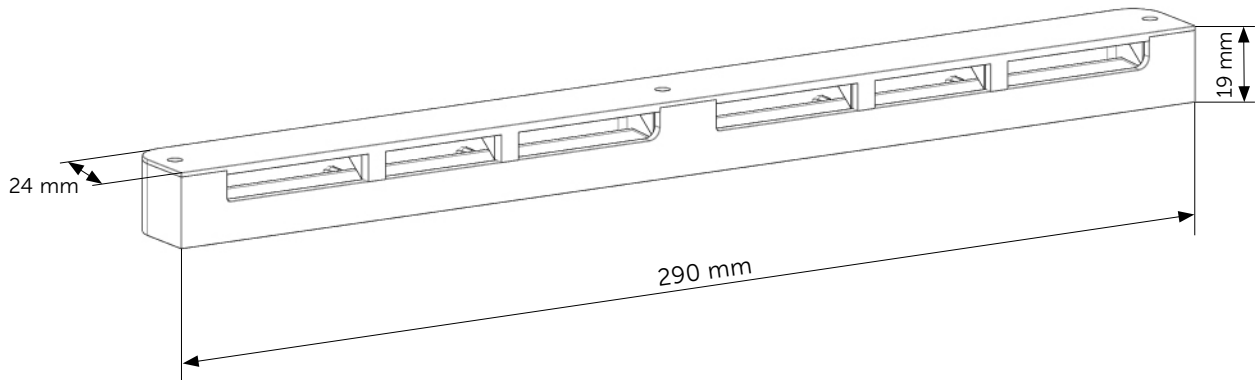
arimeo



Installation instruction for timber windows

classic T

Installation instruction arimeo classic T for timber windows



Installation of arimeo on the fixed frame

- 1 arimeo classic S can be used in various installation variants. The number and position of the vents can be gathered from the separate presentation of the installation variants..
- 2 Mill out the upper fixed frame respectively transom at the positions defined for arimeo. This provides both the installation space for arimeo and the outer air supply gap (2 mm). Image 1 shows exemplary the dimension of the installation variant SINGLE.

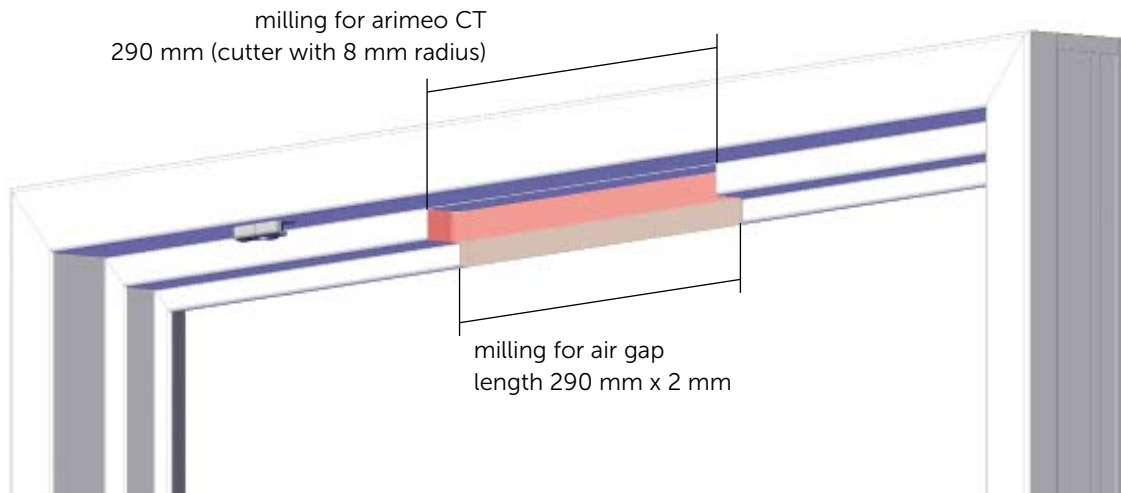


Image 1: milling

- 3** Treat all of the milled surfaces with the necessary wood preservative and screw the arimeo classic T in the milled-out installation space.

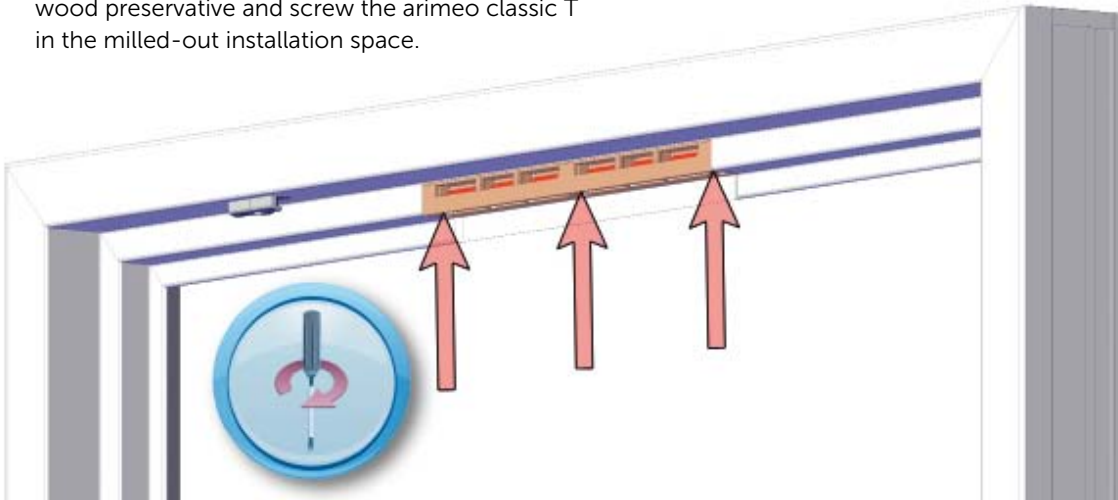


Image 2: screwing in the arimeo CT

Producing the inner air supply gap on the sash

- 4** Remove the inner sash overlap gasket at the positions defined in the presentation of the installation variants, producing the inner air supply gap. Image 3 shows exemplary the dimension of the installation variant SINGLE.
- 5** In case of systems without inner sash overlap gaskets, an inner air supply gap of 4 mm must be milled out.

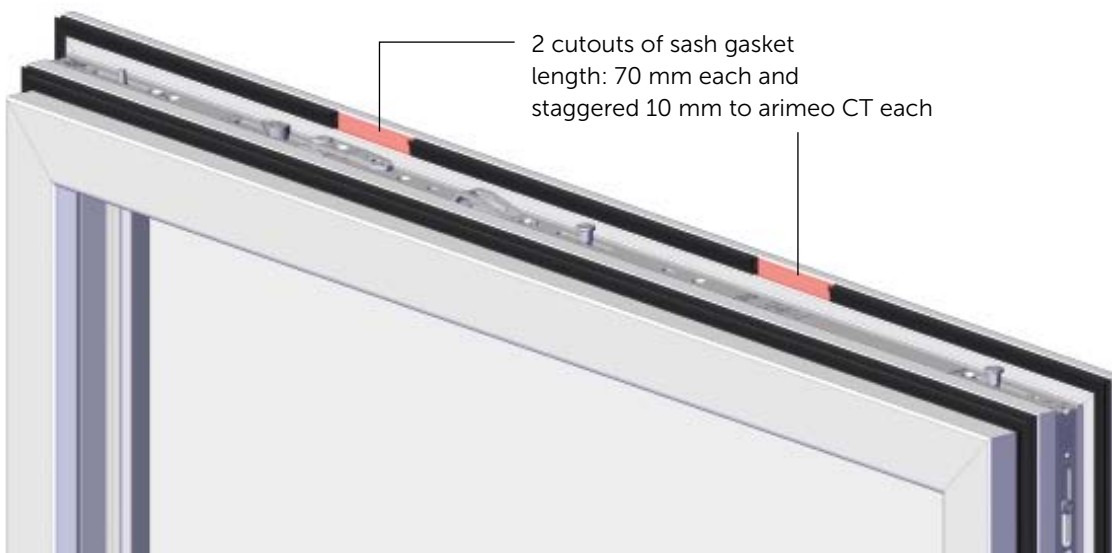


Image 3: air supply on sash

Important information on French casement windows

In case of French casement windows, the centre gasket level is to be run over the vent.

Installation variants arimeo classic T

For timber windows, the arimeo classic T can be used in the installation variants shown below. The selection of an installation variant is primarily dependent on the volume of air and the sound insulation required. The test

values for the individual variants are listed in the overview of the performance data.

SINGLE ACOUSTIC

1 arimeo, length 290 mm

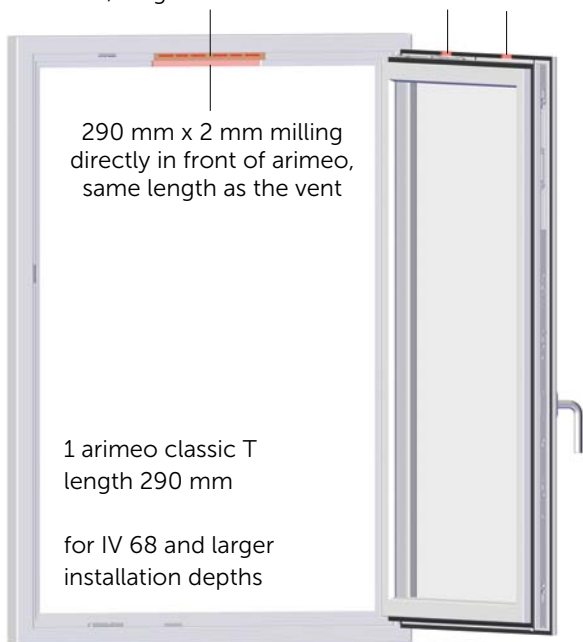
cutout sash gasket: 2 x 20 mm, each staggered 10 mm to arimeo



SINGLE

1 arimeo, length 290 mm

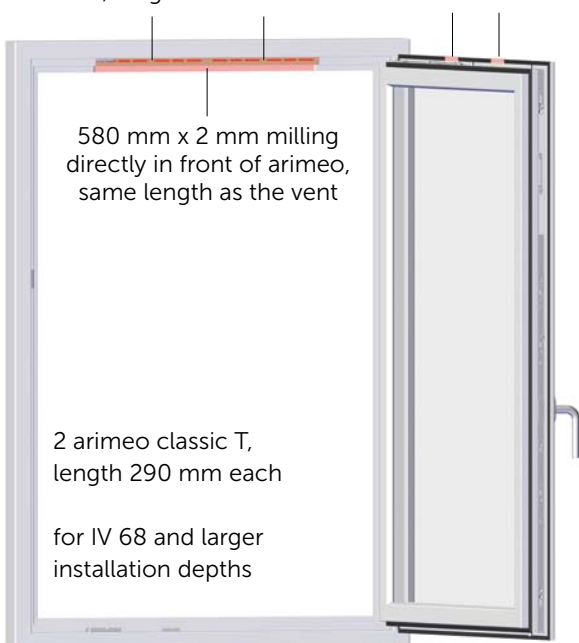
cutout sash gasket: 2 x 70 mm, each staggered 10 mm to arimeo



DOUBLE 68

2 arimeo, length 290 mm each

cutout sash gasket: 2 x 95 mm, each centrally in front of arimeo



DOUBLE

2 arimeo, length 290 mm each

cutout sash gasket: centrally in front of arimeo 450 mm open





Europa fördert Sachsen.
EFRE
Europäischer Fonds für
regionale Entwicklung



INNOPERFORM® GmbH
Preititz, Alte Dorfstrasse 18-24
02694 Malschwitz
Germany

T: +49 (0)35932 3592-0
F: +49 (0)35932 3592-92
E: arimeo@innoperform.de

arimeo.de

