

# arimeo



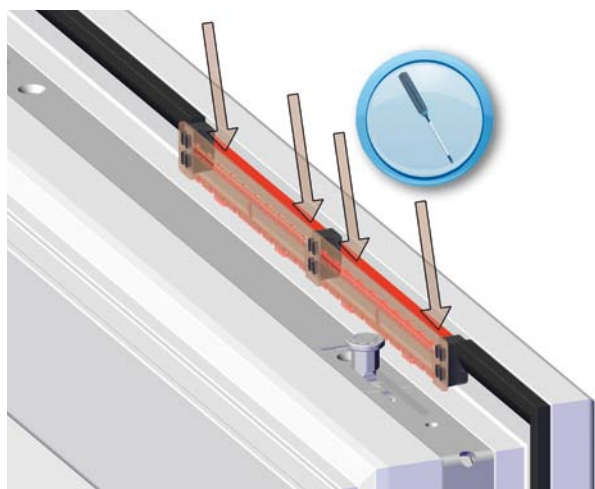
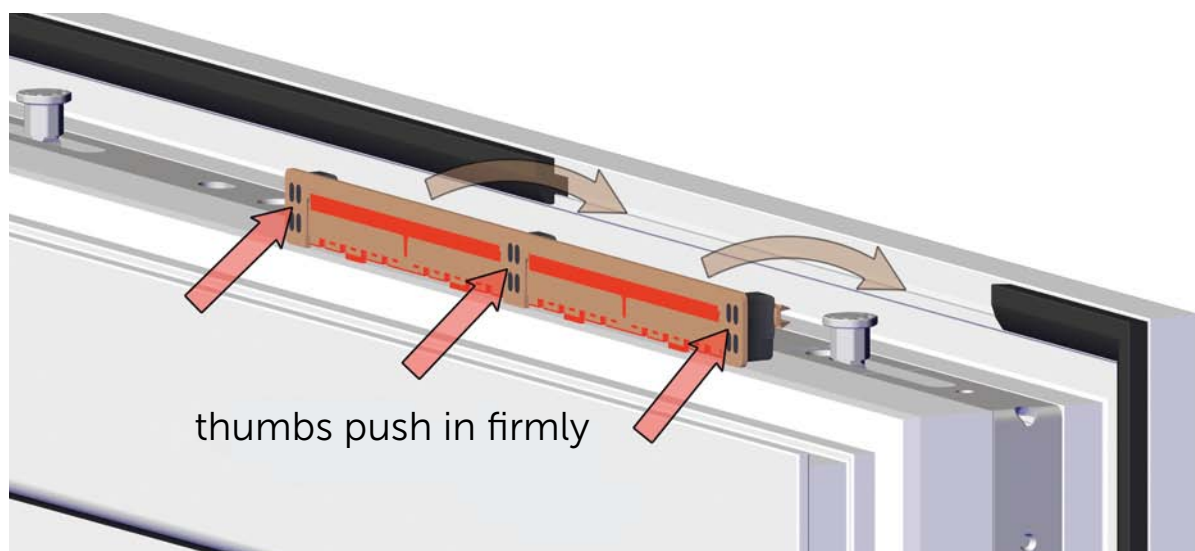
## Installation instruction for uPVC windows

classic S

# Installation instruction arimeo classic S for uPVC windows

## Installation of arimeo on the sash

- 1 arimeo classic S can be used in various installation variants. The number and position of the vents can be gathered from the separate presentation of the installation variants.
- 2 Remove the sash overlap gasket completely on the positions earmarked for arimeo using a cutter and, if necessary, needlenose pliers.
- 3 arimeo is locked into the now vacant groove. The control flaps always point towards the glass pane. Make sure that the entire length of the locking foot disappears into the gasket groove, and that the control flaps move freely.



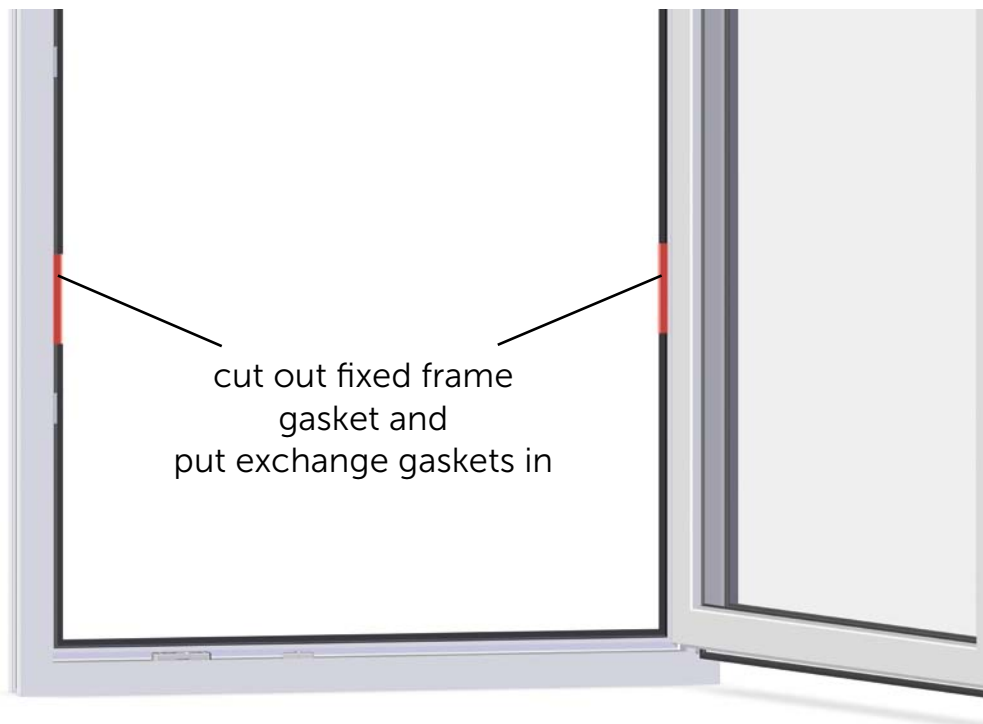
### TIP:

Generally, thumbs push arimeo into the groove. In case of narrow grooves, the force required for pushing it into can be reduced by applying the flat screwdriver directly at the locking foot.

**Caution:** Once locked into, arimeo classic S sits very firmly in the window. Although a removal is possible, it may destroy the vent.

## Installing exchange gaskets on the window frame

- 4 The number and position of the exchange gaskets can be gathered from the presentation of the installation variants.
- 5 Remove the fixed frame overlap gasket on the positions earmarked using a cutter and, if necessary, needlenose pliers.
- 6 Put the exchange gasket in the now vacant gasket groove.
- 7 In case of windows with centre gasket system, remove the centre gasket on the positions earmarked in the installation variant.



## Important information

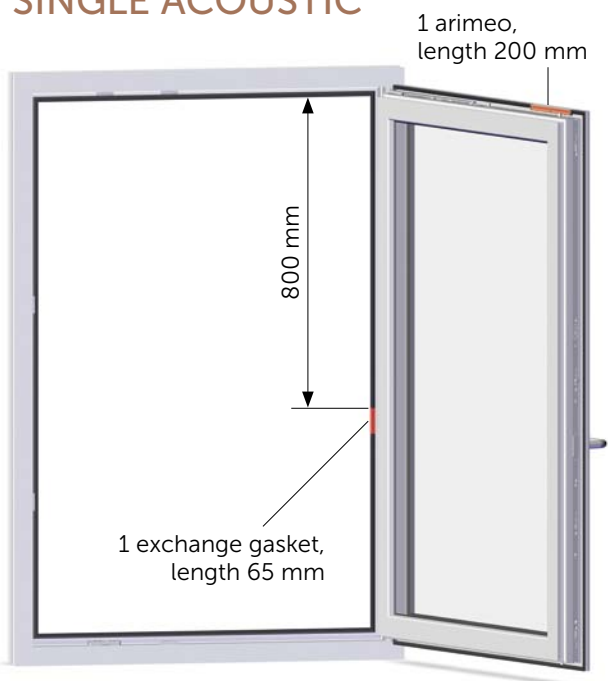
When positioning the upper exchange gaskets, make sure that the fixed frame gasket is not cut out directly vis-à-vis the arimeo window rebate vents. In case of narrow windows, one arimeo can be positioned exceptionally in the upper vertical rebate area (as high as possible).

When positioning the sideward exchange gaskets, the defined distance to the upper corner may be reduced in case of small windows. However, a minimum distance of 5 cm from the lower corner must always be observed.

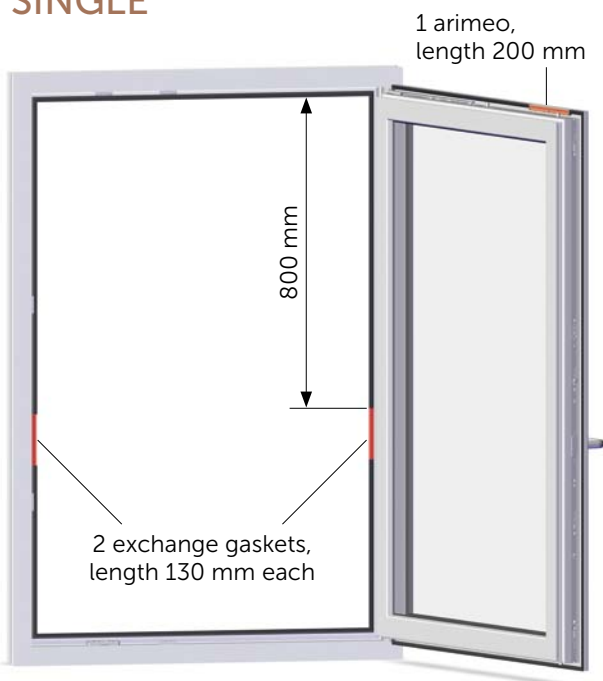
# Installation variants arimeo classic S for windows with rebate gasket system

For rebate gasket systems, arimeo classic S can be used in the installation variants shown below. The selection of an installation variant is primarily dependent on the volume of air and the sound insulation required. The test values for the individual variants are listed in the overview of the performance data.

## SINGLE ACOUSTIC

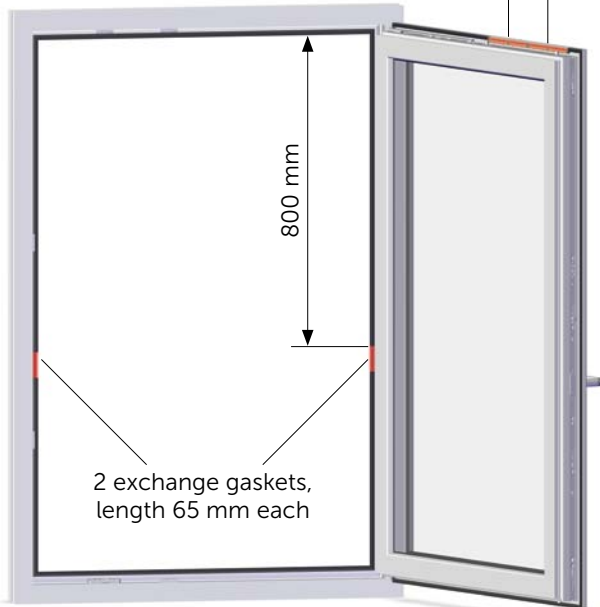


## SINGLE



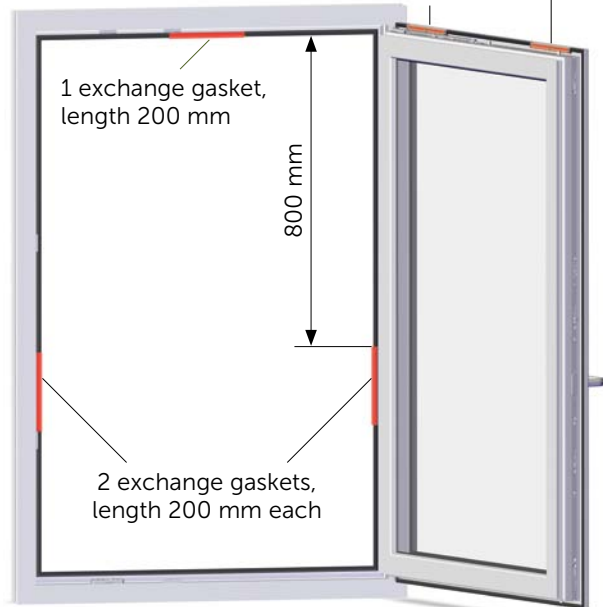
### DOUBLE ACOUSTIC

2 arimeo,  
length 200 mm  
each



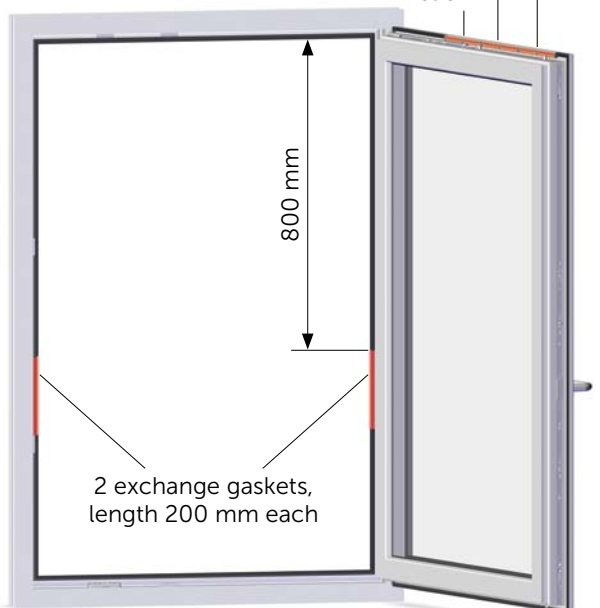
### DOUBLE

2 arimeo,  
length 200 mm  
each



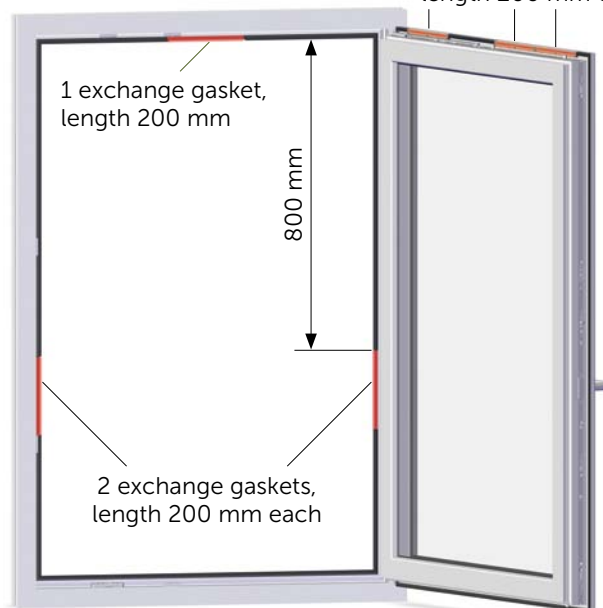
### TRIPLE ACOUSTIC

3 arimeo,  
length 200 mm  
each



### TRIPLE

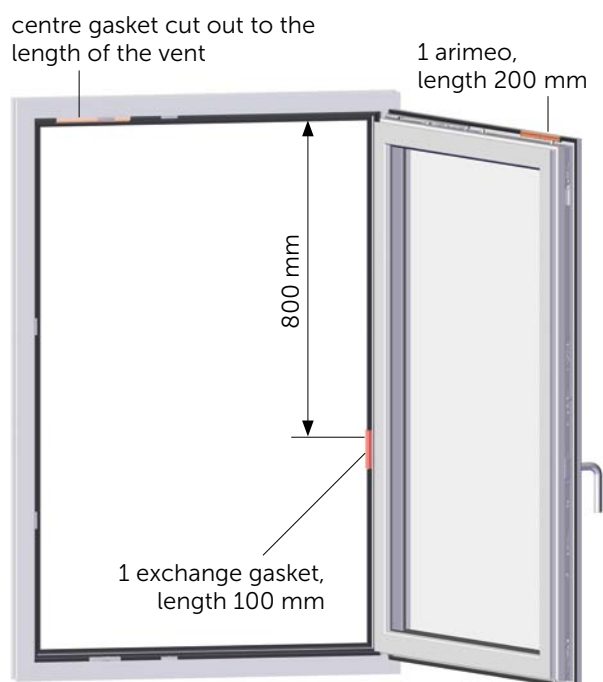
3 arimeo,  
length 200 mm  
each



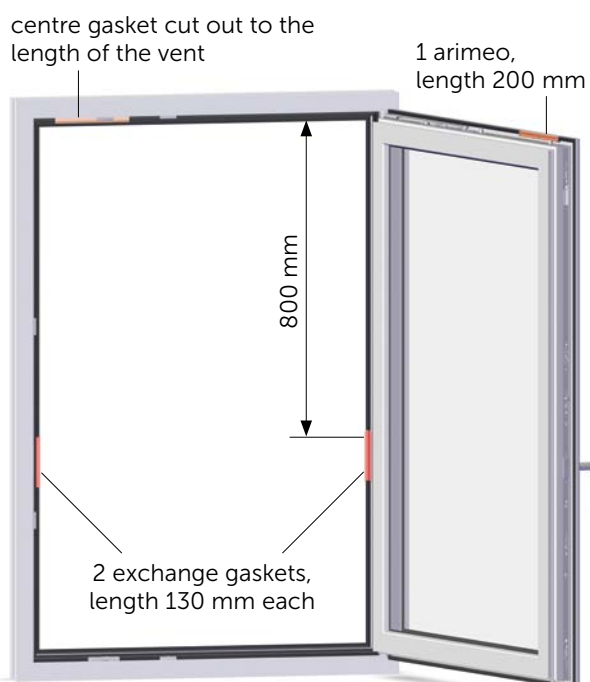
# Installation variants arimeo classic S for windows with centre gasket system

For centre gasket systems, the arimeo classic S can be used in the installation variants shown below. The selection of an installation variant is primarily dependent on the volume of air and the sound insulation required. The test values for the individual variants are listed in the overview of the performance data.

## SINGLE ACOUSTIC

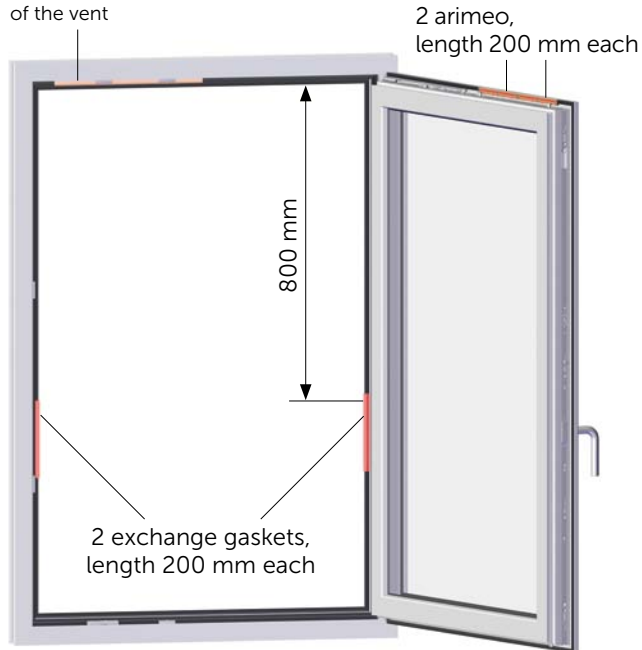


## SINGLE



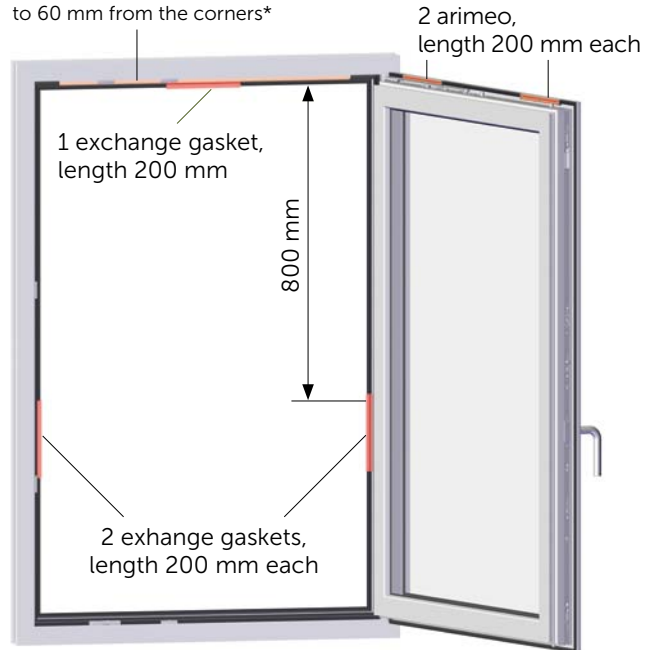
## DOUBLE ACOUSTIC

centre gasket cut out to the length of the vent



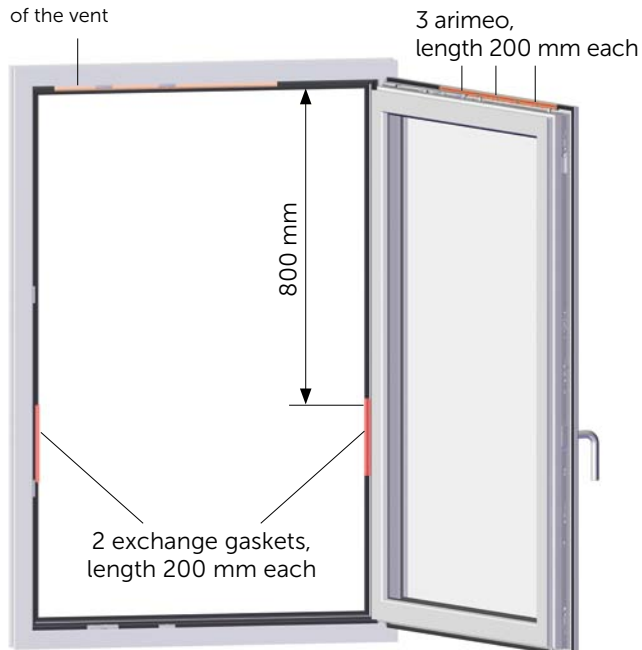
## DOUBLE

centre gasket cut out completely up to 60 mm from the corners\*



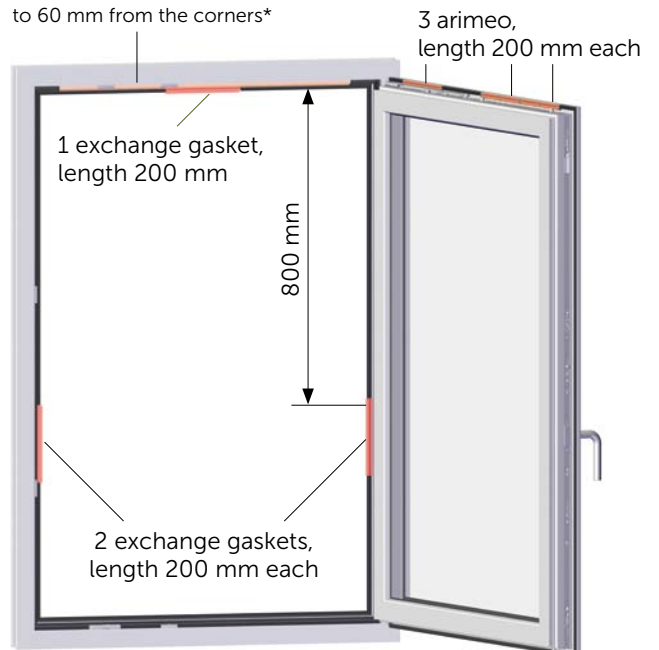
## TRIPLE ACOUSTIC

centre gasket cut out to the length of the vent



## TRIPLE

centre gasket cut out completely up to 60 mm from the corners\*



\* Observe details about window width on page 33.



Europa fördert Sachsen.



INNOPERFORM® GmbH  
Preititz, Alte Dorfstrasse 18-24  
02694 Malschwitz  
Germany

T: +49 (0)35932 3592-0  
F: +49 (0)35932 3592-92  
E: [arimeo@innoperform.de](mailto:arimeo@innoperform.de)

[arimeo.de](http://arimeo.de)

